

Power Output Ratings		50 Hz / 400 V	
Standby Power (ESP)	kVA	409	
	kW	327	
Prime Power (PRP)	kVA	357	
	kW	286	



Standby Power (ESP)			
Manufacturer		PERKINS	
Model		2206A-E13TAG2	
No of Cylinder / Configuration		6 - INLINE	
Displacement	lt	12,5	
Bore / Stroke	mm	130 / 157	
Compression Ratio		16,3:1	
Aspiration		Turbocharged and Air-to-Air Charged Cooled	
Governor Type		ELECTRONIC/ECM	
Cooling System		WATER	
Coolant Capacity	lt	51,4	
Lubrication Oil Capacity	lt	40	
Electrical System	VDC	24	
Speed / Frequency		1500 rpm / 50 Hz	
Engine Gross Power	kWm	368,4	
Fuel Consumption	lt/h	110 %	80
		100 %	77
		75 %	71
		50 %	54
Exhaust Outlet Temperature	°C	630	
Exhaust Gas Flow	m³/min	64,8	
Combustion Air Flow	m³/min	23,6	
Cooling Air Flow	m³/min	654	



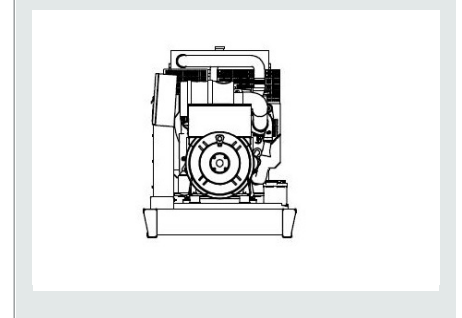
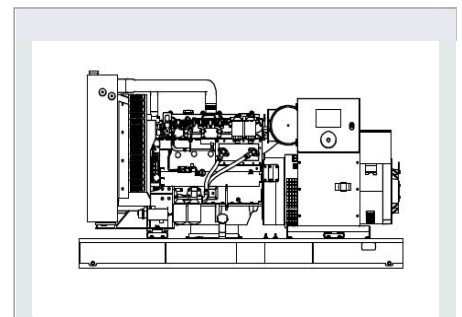
Standby Power

Standby power is defined as the maximum power available during a variable electrical power sequence, under the stated operating conditions, for which a generating set is capable of delivering in the event of a utility power outage or under test conditions for up to 500 hours of operation per year under average of 70% load. Overloading is not permissible.

Prime Power

Prime power is defined as being the maximum power which a generating set is capable of delivering continuously whilst supplying a variable electrical load. Average load should be 70%. The generator can be overloaded 10% for 1 hour per 12 hours.

Alternator		
Manufacturer		MARELLI
Model		MJB315MA4
No of Phase		3
Power Factor		0,8
No of Bearing		SINGLE
No of Poles		4
No of Leads		12
Voltage Regulation (Steady State)		± %0,5
Insulation Class		H
Degree of Protection		IP 23
Excitation System		AVR (Automatic Voltage Regulator), Brushless
Connection Type		STAR
Total Harmonic Content (No Load)		< %2
Frequency	Hz	50
Voltage Output	VAC	230 / 400
Rated Power (Standby)	kVA	450
Efficiency	%	93,7



	W x L x H (mm)	Weight (kg)	Fuel Tank (lt)	Noise dB(A) @ 1m
Canopied	1650 x 5000 x 2250	4205	900	TBA
Open Skid	1650 x 3300 x 2050	3150	900	TBA

- Technical information and values are according to ISO8528, ISO3046, NEMA MG-1.22, IEC 60034-1, BS 4999-5000, VDE 0530 standards.

- Producing with ISO9001, ISO14001, OHSAS18001, TSE, CE standards.

- All information given in this leaflet is intended for general use only. Due to a policy of continuous improvement we reserve the right to amend details and specifications without notice and all information given is subject to TransDiesel's current conditions of sale.

TBA: To Be Ask

TBD: To Be Determined

NA: Not Available

N/A: Not Applicable

TTD409PE5A0414-EN