

 **825 M**

# SENEBOGEN



**129** kW (Stage V)

**110** kW (Electro)



**28,8** t



**12 - 14** m



**MAX**CAB

# 825E

Mobile material handling machine

Stage V

# B25E Advanced. The E-Series



1962 - rope-driven S833 with elevated operator cab

## What makes up the E-Series

- More than 65 years of experience in designing and constructing hydraulic material handling machines
- Uncompromisingly high performance in all areas: Focus on material handling
- Technology that can be mastered: High-quality components without over-engineering
- Long product service life and high value retention

## Your top benefits

- 1 Green Efficiency**  
Safe fuel - reduce operating costs  
Work quietly - protect operator and environment  

- 2 Peak performance**  
Durable mechanical systems - stressed parts optimized  
High speeds - high load capacities
- 3 Maximum usability**  
Comfortable Maxcab operator cab - relaxed work  
SENCON - work program selection made easy  

- 4 Maximum safety**  
Safe entry and exit - no-slip steps  
State-of-the-art camera - entire work area in view
- 5 Maintenance and service made easy**  
SENNEBOGEN Control System SENCON - easy fault diagnosis  
Easy Maintenance - clear labelling
- 6 Consultation and support in your area**  
3 product sites - 2 subsidiaries  
more than 150 sales partners - worldwide and also in your area





# B25E The E-Series. At a glance.

## Four ways to save fuel

- Up to 20% savings working in Eco Mode with reduced engine speed
- Idle automation reduces speed to 40% of operating speed
- Stop automation switches the engine off when not needed
- Optimized settings of engine and hydraulics reduces fuel consumption

Work	Mile	Step
1800 ECO rpm	140.0 rpm	0 rpm
0.5 s	5.5 s	8 s
		5 min



## Maximum safety

- No-slip work surfaces
- Hand rails\* 1
- 2 cameras to the right and rear
- Step grid with railing next to cab sliding door\* 2

## Quiet operation

- Consistently quiet operation thanks to decoupled engine mounts and soundproofing in the doors
- Soundpower level according to 200.0/14/IEC up to 2 dB lower than required

## High-capacity cooling

- Constant, reliable performance thanks to large-dimensioned and robust fans and coolers
- Water and oil coolers with top-notch efficiency thanks to axial-piston pump and motor control and on-demand thermostatic control
- Fan reversal for cleaning in series

## Powerful hydraulic system

- Strong pumps with power reserves
- Top efficiency thanks to large-dimensioned hydraulic valves and lines
- Extra-long change intervals of 4,000 operating hours through initial fill-up with special oil with extended service life when using SENNEBOGEN HydroClean\*



4 Subject to technical changes. Further options available upon request.

Subject to technical changes. Further options available upon request. \*Option



**Features**

- optimum cab climate with automatic air conditioning system, partial tinted glass
- pleasant and equal temperature distribution by means of 9 nozzles
- panoramic view
- comfort seat with air suspension
- very quiet through optimized noise insulation
- highest safety & comfort with sliding door, wide door opening
- ergonomically arranged operating controls for fatigue-free and relaxed working
- 12 V, 24 V, and USB charging sockets, hands-free telephone preparation, document box
- various options: electric cool box behind driver's seat, seat air conditioning

**SENNEBOGEN joysticks**

- considered ergonomic joysticks that move with the seat
- pleasant joystick ergonomic design through direct and sensible forward activation
- quick access to all operating controls through optimized design of all push buttons and joysticks



**Optimized for maintenance**

- Fast and easy diagnosis thanks to the clearly labeled electrical distributor
- Easy accessibility to all service points of the machine
- Automatic central lubrication for equipment and slewing gear raceway



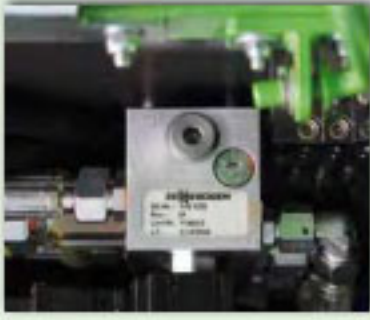
**SENNEBOGEN HydroClean\***

- Optimal protection of hydraulic components thanks to 3 µm micro-filter
- Cleaner hydraulic oil, longer oil service life



**Central measuring points**

- Easily accessible
- Inspect the entire hydraulic system quickly



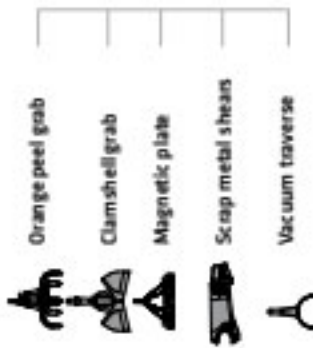
**Clear labeling**

- All parts labeled with a unique part number
- Easy and reliable spare parts ordering



# B2SE Modular design - versatile solutions

## Attachments



## Equipment options (others available upon request)



## Cabs



## Cab elevation



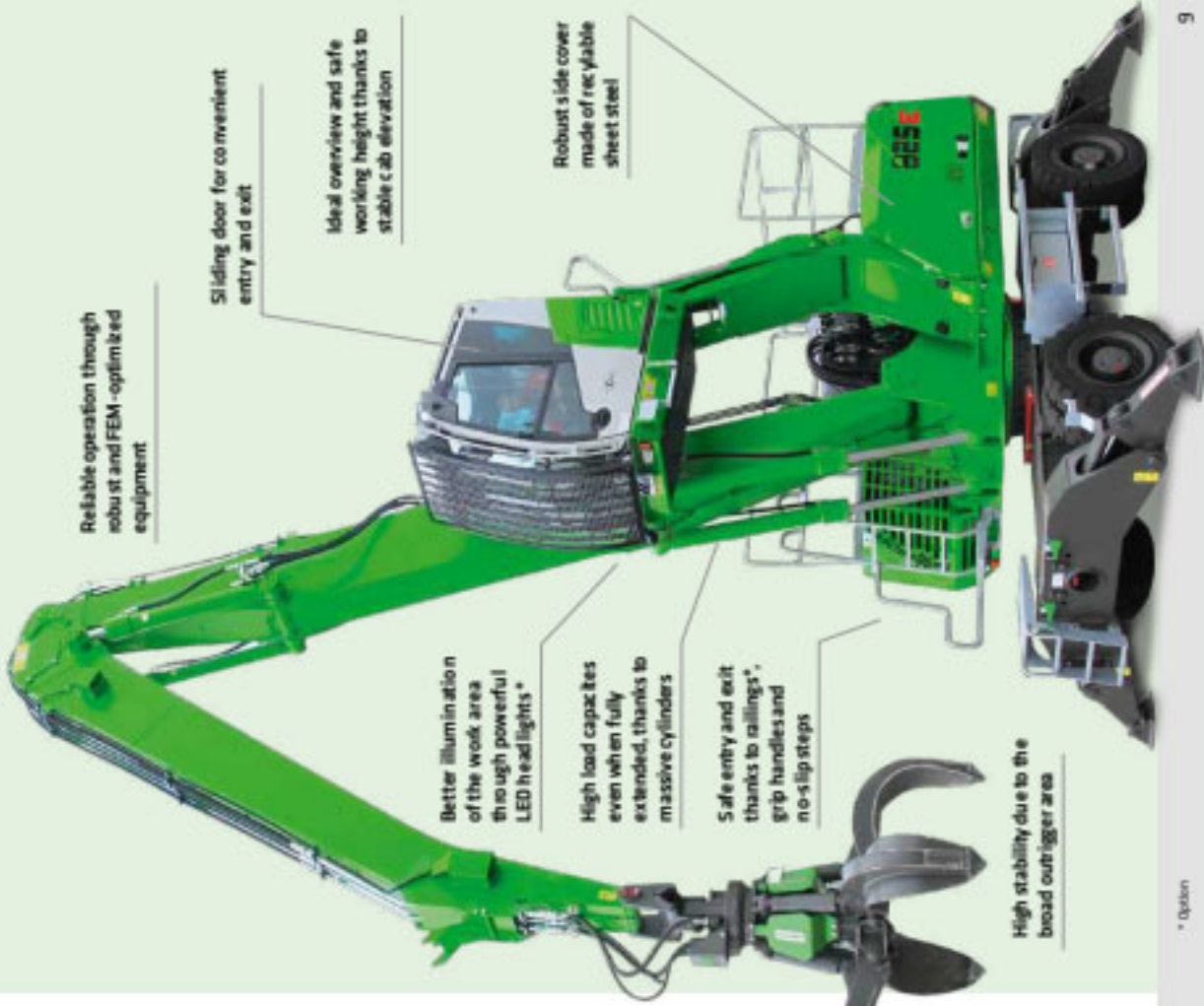
## Uppercarriage



## Undercarriage variants



# B2SE Advantages at a glance




\* Option

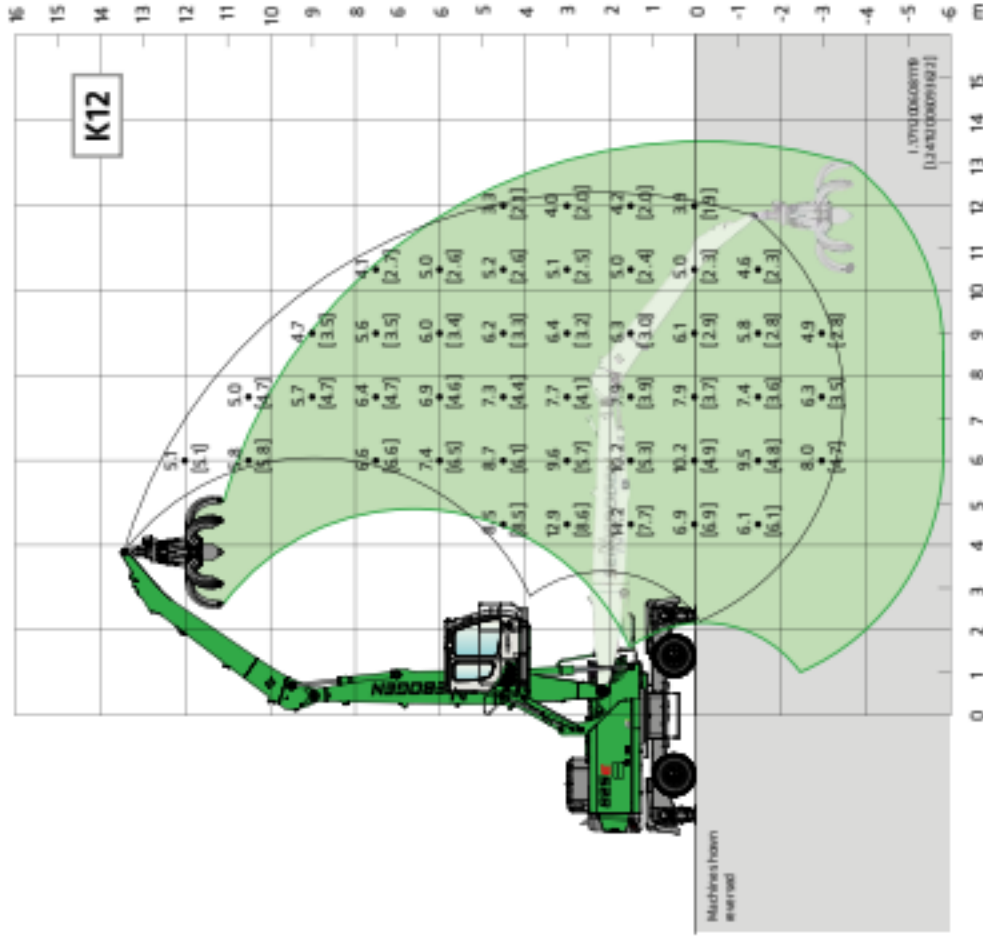
B \*Additional information on our crawlerundercarriage can be found in the B2SE E-Book brochure

<b>MACHINE TYPE</b>	Model (t/yr)	82 S
<b>ENGINE</b>	<p><b>Slams-X</b></p> <p>Power: Rated Power: 129 kW at 2200 rpm 145 kW at 2000 rpm</p> <p><b>Cummins 6.7</b></p> <p>Direct injection, turbo-charged, charge air cooler, reduced emissions, Eco Mode, automatic idling, automatic stop</p> <p>Cooling: Water-cooled</p> <p>Diesel filter: With water separator and heating system</p> <p>Air filter: Dry filter with integrated pre-separator, automatic dust discharge, main element and safety element, contamination indicator</p> <p>Fuel tank: 450 l</p> <p>DEF tank: 45 l</p> <p>Electrical system: 24 V</p> <p>Batteries: 2 x 135 Ah, main switch</p> <p>Options:                     <ul style="list-style-type: none"> <li>Engine block heater</li> <li>Electric fuel pump</li> <li>Jump-start battery terminals</li> </ul> </p>	
<b>UPPERCARRIAGE</b>	<p>Design: Torion-resistant box design, precision cranked, steel bushings for boom bearings. Extremely service-friendly design, long life rear engine</p> <p>Central lubrication: Automatic central lubrication for equipment and slewing ring</p> <p>Electrical system: Central electrical distribution, battery disconnect switch</p> <p>Cooling system: 3 circuit cooling system with high cooling output, thermostat controlled fan drive for oil cooler and water cooler, fan reversal for cleaning</p> <p>Options:                     <ul style="list-style-type: none"> <li>Slewing gear brake via foot pedal</li> <li>Prepainted up percentage rolling for additional safety</li> <li>LED lighting packages</li> <li>Fire extinguisher</li> <li>Marine climate vent/shaft connection protection</li> </ul> </p>	

Options: <ul style="list-style-type: none"> <li>Electric heater for hydraulic tank</li> <li>Low temperature packages</li> <li>Hydraulically driven magnetic generator 15 kW</li> <li>Telematic system SEHABOES</li> </ul>	<b>HYDRAULIC SYSTEM</b>
<p>Load sensing / LUDV hydraulic system for hydraulic pilot-controlled work functions</p> <p>Pump type: Swash plate type variable displacement piston pump, load pressure-independent flow distribution for simultaneous, independent control of work functions</p> <p>Pump control: Zero-stroke control, on-dem and flow control - the pumps only pump as much oil as will actually be used, pressure pulsing, load limit sensing control</p> <p>Delivery rate: 410 l/min</p> <p>Operating pressure: max. 350 bar</p> <p>Filtration: High-performance filtration with long change interval</p> <p>Hydraulic tank: 310 l</p> <p>Control system: Proportional, precision hydraulic actuators of work movements, 2 hydraulic servo hydraulics for the work functions, additional functions via solenoids and four pedals</p> <p>Safety: Hydraulic circuits with safety valves, secured emergency lowering of the equipment at engine standstill, pressure safety valves for lift cylinder and stick cylinder</p> <p>Options:                     <ul style="list-style-type: none"> <li>Blind - environmentally friendly</li> <li>Tool control for programming the pressure/rate for up to 10 tools</li> <li>Additional hydraulic circuit for shear attachment</li> <li>Load moment warning with capacity utilization indicator</li> <li>Overload safeguard with overload shutdown</li> <li>3 µm hydraulic micro-filter - SEHABOES M HydroClean</li> </ul> </p>	<b>SLEWING DRIVE</b>
<p>Gearbox: Compact planetary gear with planetary hydraulic motor, integrated brake valves</p> <p>Parking brake: Spring-loaded multi-disk brake</p> <p>Slewing ring: Strong slewing ring, sealed</p> <p>Slewing speed: 0-8 rpm, variable</p>	

<b>CAB</b>	<b>UNDERCARRIAGE</b>
<p>Cab elevation: E270, hydraulically elevating cab</p> <p>Cab equipment: Sliding door, sliding pane, vibration damped, 3 fixed safety glasses, front pane can be opened, roof window, windscreen wiper for front pane, radio preparation, air-suspended comfort seat, joystick steering, SEHABOES IN CONTROL control display system</p> <p>Options:                     <ul style="list-style-type: none"> <li>Tilttable cab, 30°</li> <li>Cab elevation E 300 / 260, can be elevated and moved to rear hydraulically</li> <li>Maxcab in dusty</li> <li>Armored glass windshield</li> <li>Armored glass sunroof</li> <li>Safety side window and rear window</li> <li>Windscreen wiper for front window/side light</li> <li>Rolling shade for roof window and windshield</li> <li>GPS protective roof guard</li> <li>Protective front guard</li> <li>Charcoal filter for chroulating and outside air</li> <li>Auxiliary heating</li> <li>Oilmatic seat</li> <li>Radio</li> <li>Electric cord box</li> </ul> </p>	<p>Design: Strong mobile and eccentricage with integrated 4-point outriggers, steering axle as hydraulically locking pendulum axle, pendulum axle cylinder with pipe fracture safety valves</p> <p>Drive: All-wheel drive powered by a variable displacement hydraulic motor with direct-mounted, automatically actuated brake valve and 2-stage power shift transmission, strong planetary axles with integrated steering cylinders, service brake in 2-circuit system</p> <p>Parking brake: Spring-loaded multi-disk brake</p> <p>Tires: M6 solid rubber tires 19.00-20, 8x</p> <p>Speed: 0-7 km/h Level: 0-2.0 km/h Level II</p> <p>Options:                     <ul style="list-style-type: none"> <li>Pneumatic tires 19.00-20, 8x</li> <li>Additional pushing blade for 4-point outrigger (front or rear)</li> <li>Individual outrigger actuation</li> <li>Protection for travel drive/coupling</li> <li>Pylon</li> </ul> </p>
<b>EQUIPMENT</b>	<b>ELECTRIC DRIVE</b>
<p>Design: Decades of experience, state-of-the-art computer simulation, highest level of stability, longest service life, large dimensions and low maintenance bearing parts, sealed speed of bearing bushes, precision-crafted, quick-release couplings on the connectors - open &amp; close/rotate grapple</p> <p>Cylinders: Hydraulic cylinders with high-quality sealing and guide elements, end position damping, sealed bearing parts</p> <p>Options:                     <ul style="list-style-type: none"> <li>Ball valves at the hydraulic lines for jobs</li> <li>Adjustable holding limit at stick limiter e.g. in the hall</li> <li>MUX coupling</li> </ul> </p>	<p>Power: 110 kW, 400 V, 50 Hz Total connected to ad. 240 kW, machine side 250 A, at 400 V fuse, alternately 315 A with magnet system - standard connected to motor start</p> <p>Advantages: Lowest operating costs, quiet and almost vibration-free work, long service life of hydraulic components</p>
<b>OPERATING WEIGHT</b>	
<p>Mass: 825 t with 4-point outrigger and compact landing attachment Approx. 28,000 kg</p> <p>Notice: Operating weight varies by model and equipment.</p>	

# B2SE Load ratings

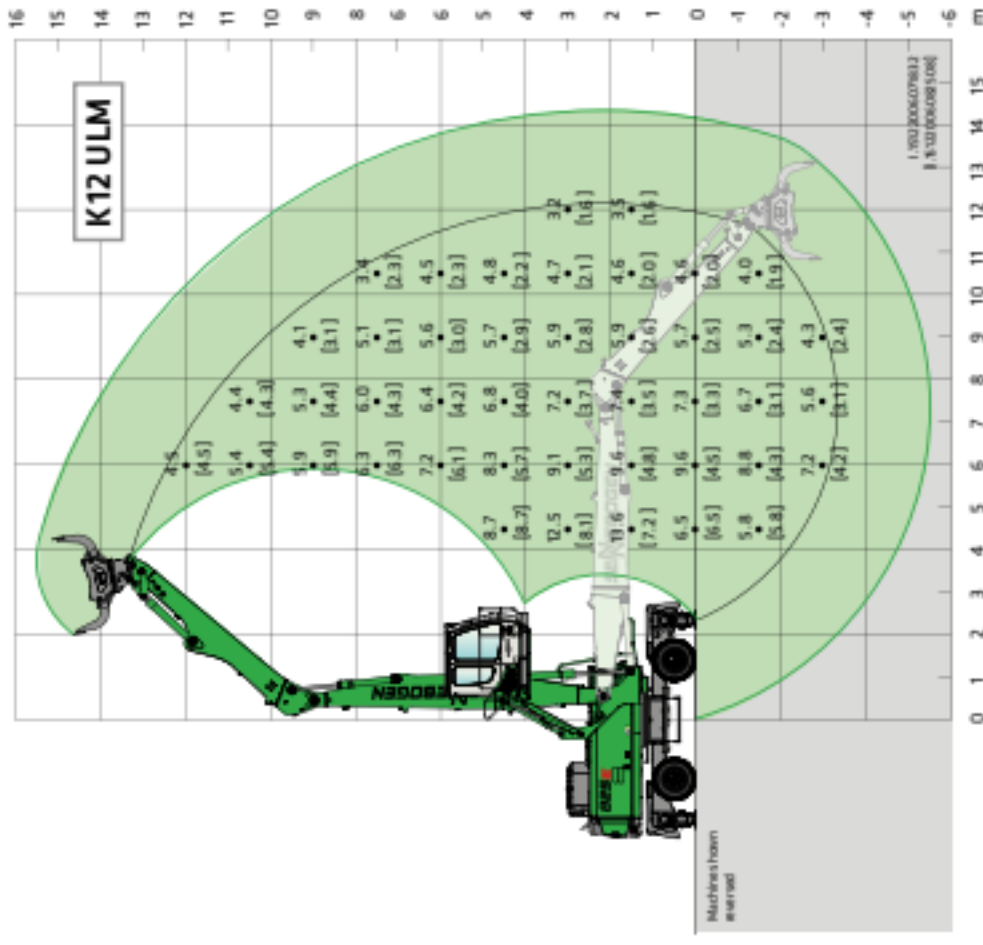


Underrigle MP28E Compact boom 6.8 m Cab Ma xcab E270, hydraulically elevating  
Crab stick 5.8 m

All load ratings are specified in tons (t) and apply at the end of the trestle, without attachment, on solid, level ground. Attachments such as grabs, magnets, buckets, etc. are not included in the load ratings. These performance values are 70% of the static lifting force in accordance with ISO 10565 (in accordance with CE standard EN 12013). Hydraulic excavators used for lifting must be equipped with a safety device on the hoist and stick cylinder and an overload warning device. Load ratings apply to a machine with deployed 4-point outrigger support and 300° slewing. Load ratings in square brackets [ ] apply to tilted perpendicular side, undeployed outriggers (free-standing) and 300° slewing.

12 Technical features and dimensions subject to change

# B2SE Load ratings



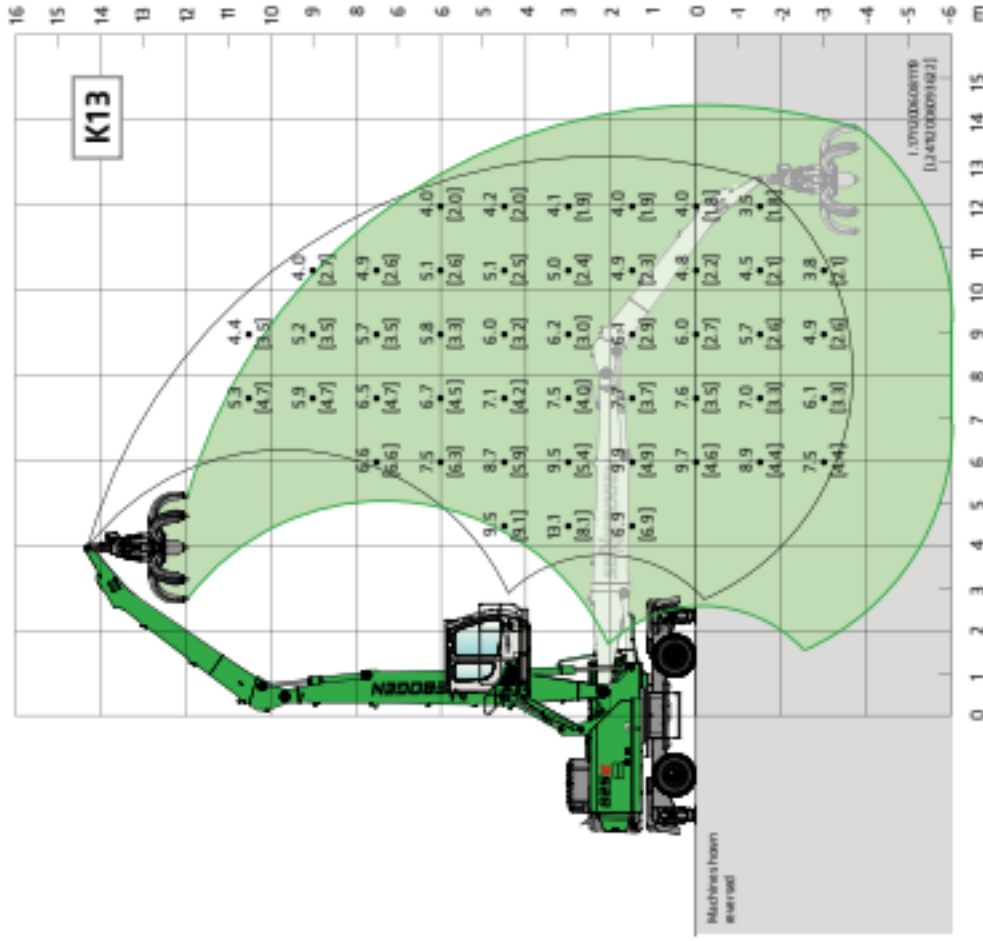
Underrigle MP28E Compact boom 6.8 m Cab Ma xcab E270, hydraulically elevating  
Crab stick 5.5 m ULM

All load ratings are specified in tons (t) and apply at the end of the trestle, without attachment, on solid, level ground. Attachments such as grabs, magnets, buckets, etc. are not included in the load ratings. These performance values are 70% of the static lifting force in accordance with ISO 10565 (in accordance with CE standard EN 12013). Hydraulic excavators used for lifting must be equipped with a safety device on the hoist and stick cylinder and an overload warning device. Load ratings apply to a machine with deployed 4-point outrigger support and 300° slewing. Load ratings in square brackets [ ] apply to tilted perpendicular side, undeployed outriggers (free-standing) and 300° slewing.

13 Technical features and dimensions subject to change



# B25E Load ratings



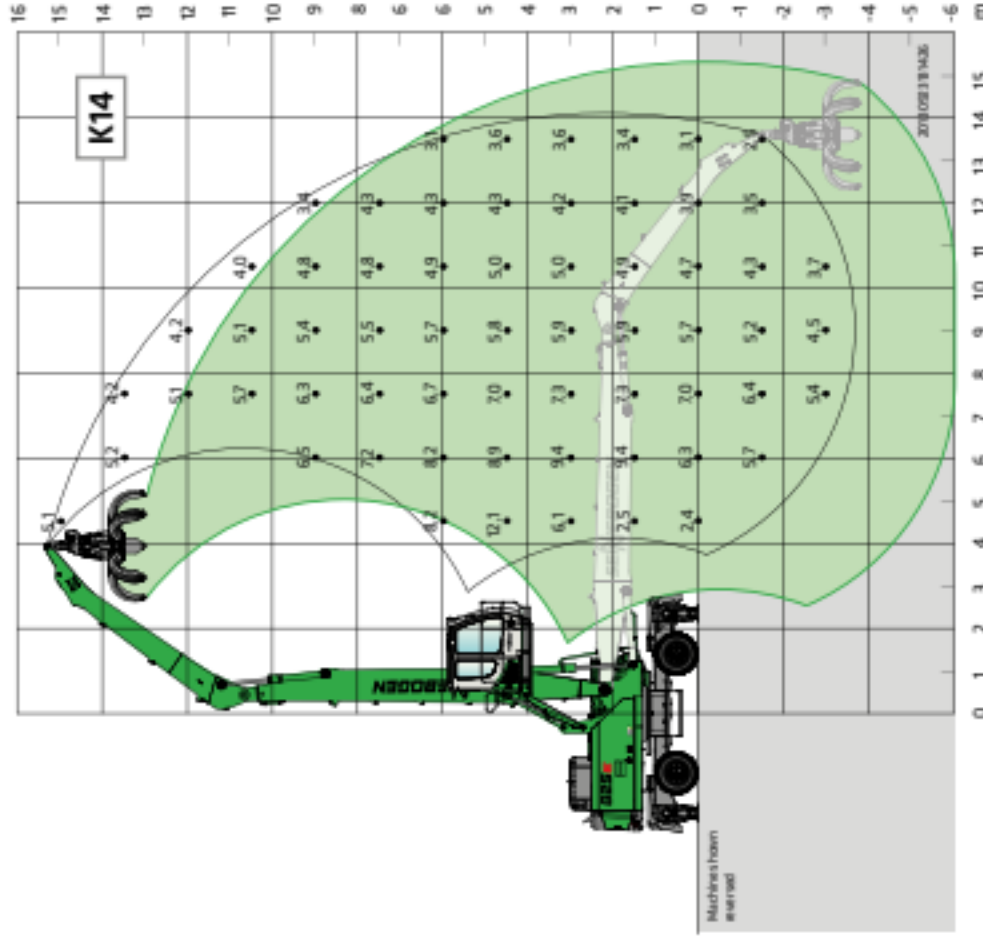
Underridge MP26 Compact boom 7.5 m Grab stick 5.8 m

Cab Max cab B270, hydraulically elevating

All load ratings are specified in tons (t) and apply at the end of the trestle, without attachment, on solid, level ground. Attachments such as grabs, magnets, buckets, etc. are part of the specified load ratings. These peak values are 75% of the static lifting force in accordance with ISO 10565 (in accordance with CE standard EN 602 / 5, hydraulic material handling machines used for lifting must be equipped with pipe fracture safety devices on the hoist and stick cylinders and an overload warning device. Load ratings apply to a machine with deployed 4-point outrigger support and 360° slewing. Load ratings in square brackets [ ] apply to tilted parallel side, undeployed outriggers (free-standing) and 360° slewing.

14 Technical features and dimensions subject to change

# B25E Load ratings



Underridge MP26 Compact boom 8.5 m Grab stick 5.8 m

Cab Max cab B270, hydraulically elevating

All load ratings are specified in tons (t) and apply at the end of the trestle, without attachment, on solid, level ground. Attachments such as grabs, magnets, buckets, etc. are part of the specified load ratings. These peak values are 75% of the static lifting force in accordance with ISO 10565 (in accordance with CE standard EN 602 / 5, hydraulic material handling machines used for lifting must be equipped with pipe fracture safety devices on the hoist and stick cylinders and an overload warning device. Load ratings apply to a machine with deployed 4-point outrigger support and 360° slewing. Load ratings in square brackets [ ] apply to tilted parallel side, undeployed outriggers (free-standing) and 360° slewing.

15 Technical features and dimensions subject to change







825 M - Scrap handling with orange peel grab, Germany



825 M Electro - Indoor scrap handling with overhead power supply, Germany



18 825 M - New scrap handling with magnetics plate, Germany

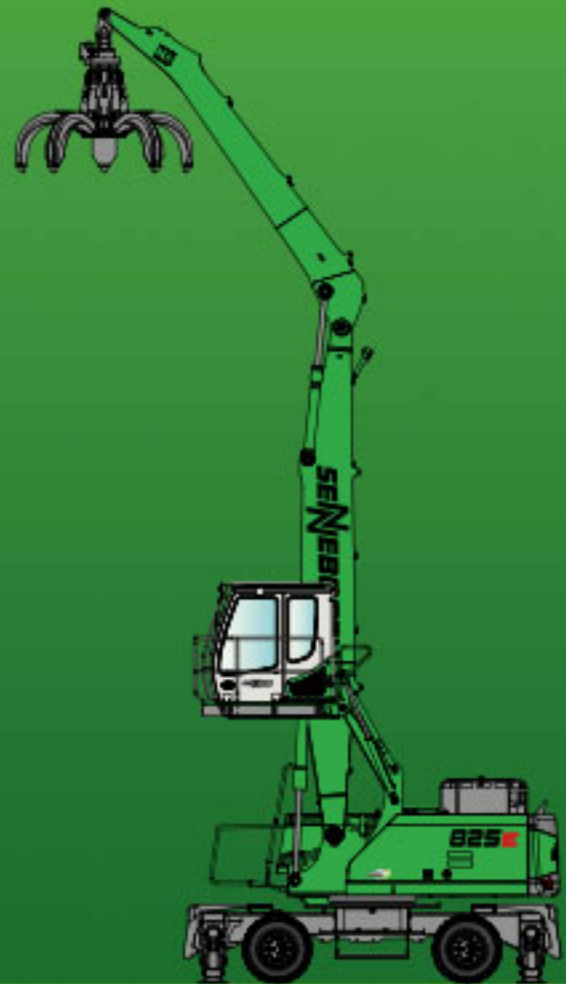


825 M - Mobile scrap handling with original SEMI EBOCE Noiseproof grab, Germany



# 825E

# M



This catalog describes machine models, scopes of equipment of individual models, and configuration options (standard equipment and optional equipment) of the machines delivered by SENNEBOGEN Maschinenfabrik. Machine illustrations can contain optional equipment and supplemental equipment. Actual equipment may vary in a tolerance range depending on the country to which the machines are delivered, especially in regard to standard and optional equipment.

All product designations used may be trademarks of SENNEBOGEN Maschinenfabrik GmbH or other supplying companies, and any use by third parties for their own purposes may violate the rights of the owners.

Please contact your local SENNEBOGEN sales partner for information concerning the equipment variants offered. Requested performance characteristics are only binding if they are expressly stipulated upon conclusion of the contract. Delivery options and technical features are subject to change. Errors and omissions excepted. Equipment is subject to change, and rights of advancement are reserved.

© SENNEBOGEN Maschinenfabrik GmbH, Straubing/Germany. Reproduction in whole or in part only with written consent of SENNEBOGEN Maschinenfabrik GmbH, Straubing, Germany.


## SENNEBOGEN

SENNEBOGEN  
Maschinenfabrik GmbH  
Sennebogenstraße 10  
94315 Straubing, Germany

Tel. +49 9421 540-144/146  
marketing@sennebogen.de

Order no. / Item no. 290080  
825M-E-0311E-0410E-01110-11163U-022010

GO FOR GREEN

 [www.sennebogen.com](http://www.sennebogen.com)